



SMART KEY

CYBERKEY PLUS

Part number: CK-PLUS



The CyberKey is an electronic, programmable smart key that cannot be duplicated.

User key, infrared, replaceable tip.

The CK-PLUS CyberKey smart key is rechargeable (via the tip) and is compatible with all CyberLock cylinders.

IP57



**SPLASH
RESISTANT**

SMART KEY FEATURES

- » Contains a unique ID that cannot be changed or duplicated
- » Has the ability to store thousands of access records: Lock ID, Date & Time, Event Type
- » Carries access schedules for the specific key holder
- » Retains encrypted access codes that bind the key to a specific system
- » Non-volatile memory holds access events, even if the battery fails
- » Can be programmed for one or many CyberLock cylinders
- » Multiple notifications (beeps, flashes or even email notifications) for low battery on CyberKeys



CyberKey PLUS

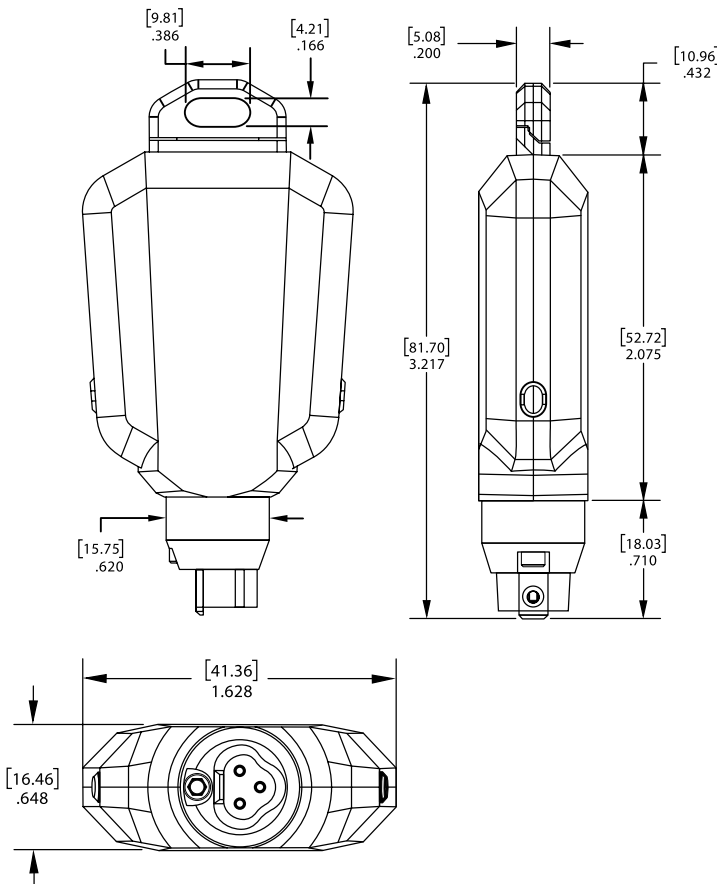
Part number: CK-PLUS

The CyberKey PLUS is an electronic key used to operate CyberLock cylinders. It has memory that contains encrypted access codes, a list of locks it may access, schedules of authorised dates and times it may access locks, and a begin-end date range during which the key will operate. The battery from a CyberKey energises the electronics within a CyberLock cylinder.



Specifications

Physical	Fiberglass reinforced nylon, replaceable brass tip
Operating Temperatures	32° to 122° F, 0° to 50° C
Dimensions	3.22" L x 0.65" W x 1.63" H (81.8 mm x 16.5 mm x 41.4 mm)
Weight	1.45 oz (41 g)
Power	Rechargeable lithium ion polymer
Memory	4 MB for up to 12,000 audit trail records and 3300 locks or 12,000 audit trails and 12,000 locks with optional lock list filtering SEM
Recharging	Via the key tip
Visual Indicators	Red and blue LED indicator lights top and bottom, green LED indicator light in key tip
Audio Indicator	An embedded speaker
Communicator Link	Generation 2 communicators such as the ValidiKey 2 Vault and Station, USB Station with CyberLink 2



Notes:
Dimensions in inches (mm)
Drawing not to scale