



ONE CONTROL INTERFACE

Flex System Hub

Part number: FS-SH01



One system for many locks: indoors, outdoors, mobile and remote.



One System

The CyberLock Flex System is an access control solution that offers both hard-wired and key-centric technologies managed within one software package.



Flexible

The heart of the system is built around the Flex System Hub access controller which provides connections for and power to weatherised modules that can be mixed and matched to fit your access control needs.



Expandable

A wide variety of other security devices such as HID readers, request-to-exit devices, alarms, door sensors and more can be added to the Flex System through the Door Controller & I/O module.

THE POWER OF FLEX

- » Activate a video or still camera when a door is accessed
- » Open a door with an RFID card, using a PIN pad or combine them for more security
- » Sound an alarm or trigger an alert with a push of a button or when a door is left open for more than a set amount of time
- » Secure a gate with a CyberLock padlock (when using the Flex system to program a CyberKey which then opens padlock)
- » Activate a light when a door is opened. The light can be at the door for safety or at a security office as an indicator
- » Program a lobby door or employee entrance to lock and unlock on a set schedule





Flex System Hub

Part number: FS-SH01

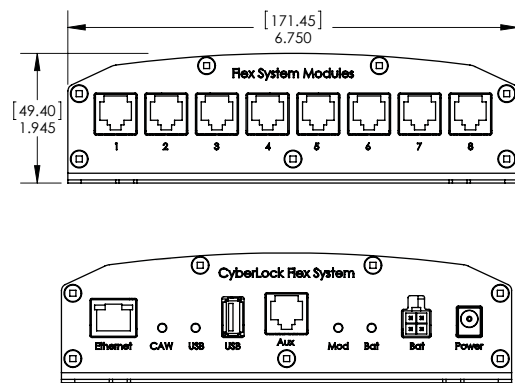
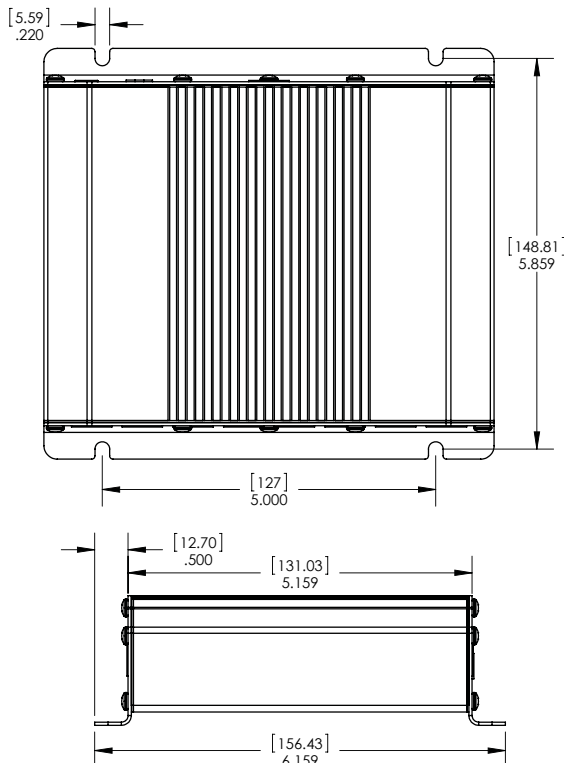
At the heart of the Flex System is the Flex System Hub, which fetches and stores CyberKey programming and door access permissions from CyberAudit-Web software and controls the Flex System modules connected to it. Up to eight modules may connect to a single hub. Since the hub stores CyberKey programming and door access permissions, it can continue to issue and check-in CyberKeys and grant door access even during network outages that prevent a connection with CyberAudit-Web software.



Specifications

- Physical** Grey powder-coated extruded aluminum
- Operating Temperatures** 32° to 140° F, 0° to 60° C
- Humidity** 0 to 90% non-condensing
- Dimensions** 6.75" W x 6.16" L x 1.95" H (171.5 mm x 156.4 mm x 49.4 mm)
- Weight** 1.8 lbs (816 g)
- Backup Battery** 12 or 24-volt, charging is managed by the Hub
- Connection** Ethernet, USB, Aux, Battery Backup, Power, 8 module ports
- Indicator Lights** CAW, USB, Mod, Battery
- Ports** Eight

LED	Flashing	Solid On
CAW	Attempting to connect	Connected
USB	Reading USB	Done
MOD	Reflects periodic communication	N/AS
BAT	Charging circuit on	Connected and charged



Notes:
Dimensions in inches (mm)
Drawing not to scale