



CKQ | **CyberLock®**

CARBINE

THE NEXT GENERATION IN LOCKING

C60 PADLOCK RANGE

Steel

Steel Shackle Protected



C SERIES

C60 Padlocks

HIGH COMMERCIAL GRADE SECURITY

- + Extended shackle models
- + 11.1 mm rapid change shackle
- + 8.5 mm double ball locking
- + Heavy duty padlock bodies
- + Standard function of snap shut
- + Can be converted to key retained
- + Tested to AS4145 Australian Standards



C60-M

C60-FE

C60-SP

Carbine C60 Padlocks fitted with an EKA CyberLock IP68 rated cylinder are ideal for medium to high commercial grade security and can withstand highly corrosive environments.

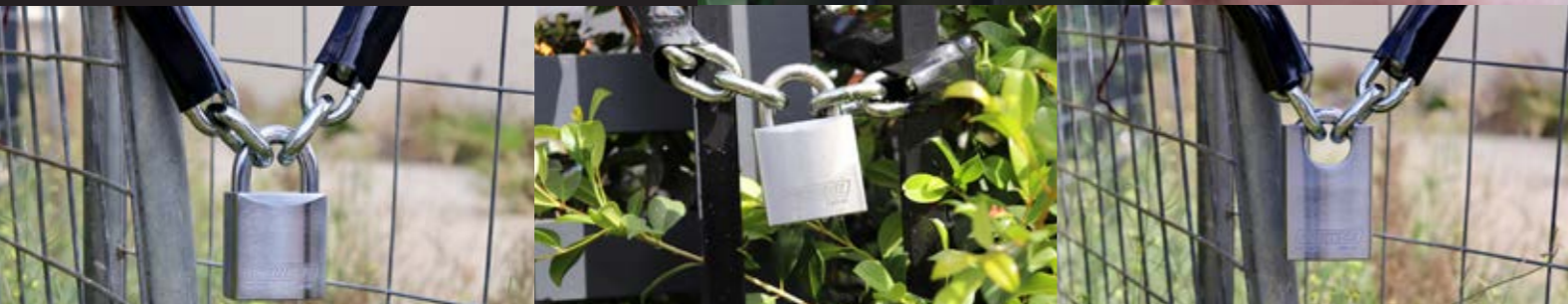
SHACKLE OPTIONS



C60 Shackles

Extended shackle length options available to suit various installation requirements.

- + 27mm
- + 50mm
- + Molybdenum & Stainless Steel



C60 Padlock with EKA CyberLock cylinder

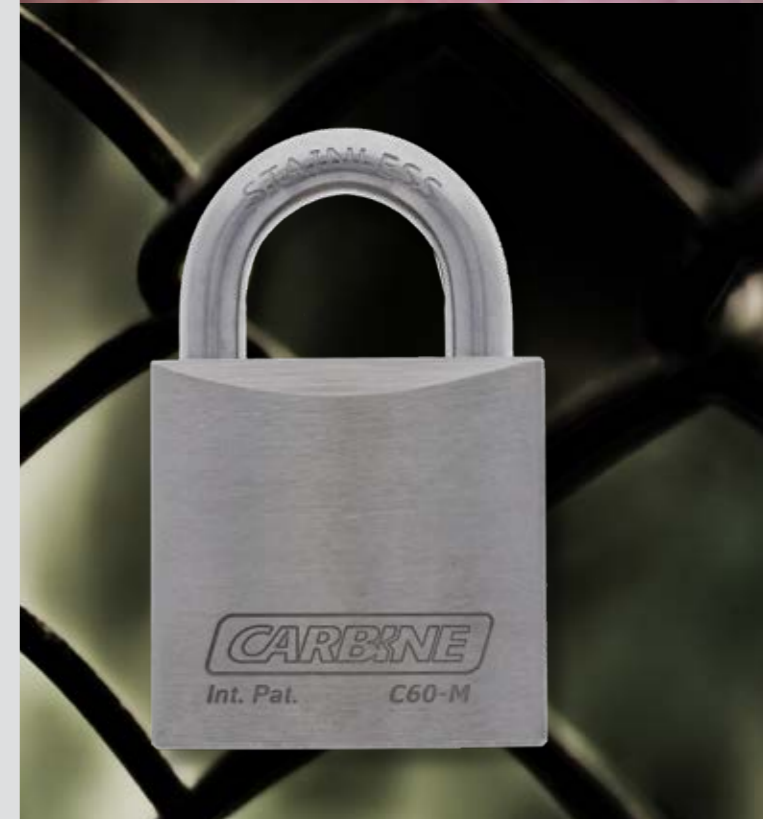
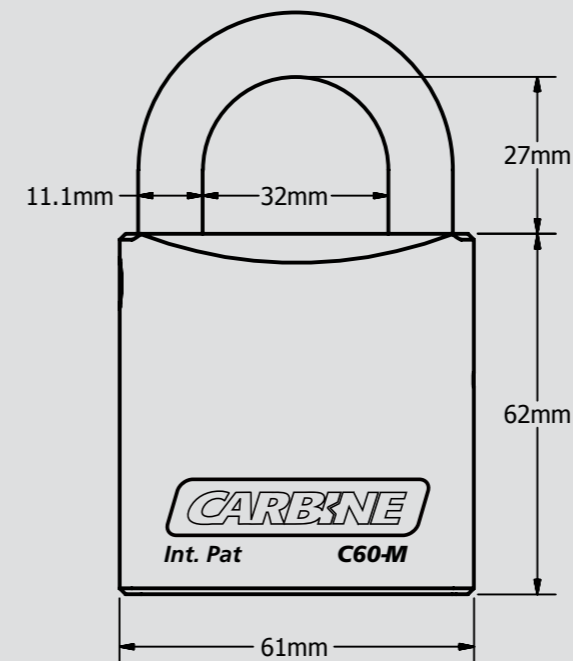
IP68 WATER PROOF DUST PROOF NO WIRING NO BATTERY

EKA - C60 - M

C60 Stainless Steel

Stainless steel body with brushed nickel chrome finish.

- + 11.1mm molybdenum alloy shackle
- + Anti drill cylinder



Security	+	+	+	+	+	+	+
Endurance	+	+	+	+	+	+	+
Weather Resistance	+	+	+	+	+	+	+



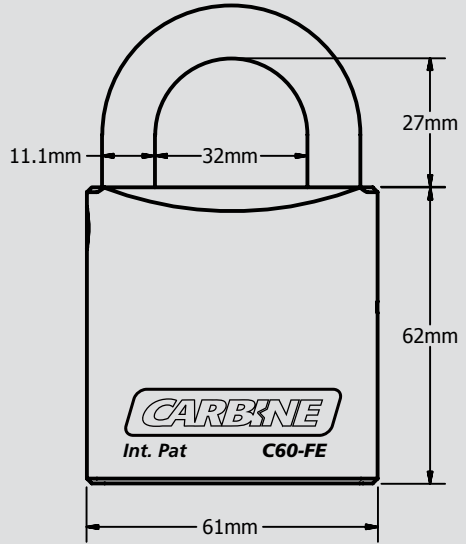
Security	+	+	+	+	+
Endurance	+	+	+	+	+
Weather Resistance	+	+	+	+	○

EKA - C60 - FE

C60 Steel

Hardened steel body with brushed chrome finish.

- + 11.1mm molybdenum alloy shackle
- + Shackle hardened to 60HRC
- + Shackles duplex nickel & chrome plated

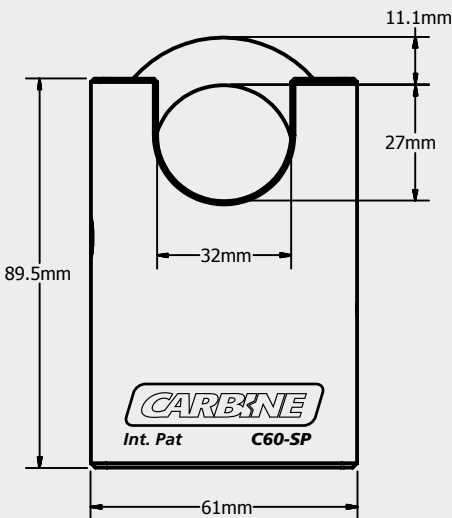


EKA - C60 - SP

C60 Steel Shackle Protected

Hardened steel body with brushed chrome finish.

- + 11.1mm molybdenum alloy shackle
- + Shackle hardened to 60HRC
- + Shackles duplex nickel & chrome plated



Security	+	+	+	+	+
Endurance	+	+	+	+	+
Weather Resistance	+	+	+	+	○

SYDNEY • MELBOURNE • BRISBANE • PERTH • ADELAIDE • AUCKLAND

CONTACT US

1300 722 311

WWW.EKACYBERLOCK.COM.AU

+64 (0) 9 368 4802

WWW.EKACYBERLOCK.CO.NZ