



SMART KEY

# CyberKey X

Part number: CK-X, CKR-X



## Exchangeable Battery CyberKey X with Infrared Technology and 2MB Flash Memory

- Replaceable 3 Volt Lithium CR2 Battery
- 2MB Flash Memory Stores: Up to 12,000 Lock List or Up to 12,000 Audit Events or Up to 100 Lock Downloads
- IR Communications for Use with the IR Encoder 10



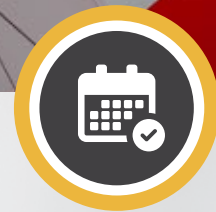
### Extended Memory

CyberKey X comes with 2MB of flash memory. When the battery dies the audit trail stays protected.



### Ultimate Convenience

Easily replace the battery on-the-go. No need to worry about how much charge is left in the key.



### Greater Flexibility

Individually manage fully customizable permission schedules and record access attempts and audit trails.



Left: CyberKey X (CK-X) locking product storage cabinet with a CyberLock cam lock.

Right: CyberKey X (CK-X) unlocking a CyberLock padlock securing outdoor equipment.



### CyberKey X - Replaceable Battery, Infrared

Part number: CK-X, CKR-X

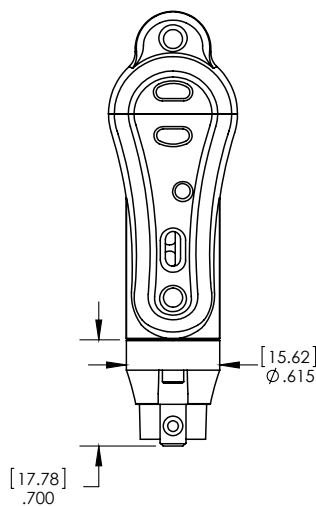
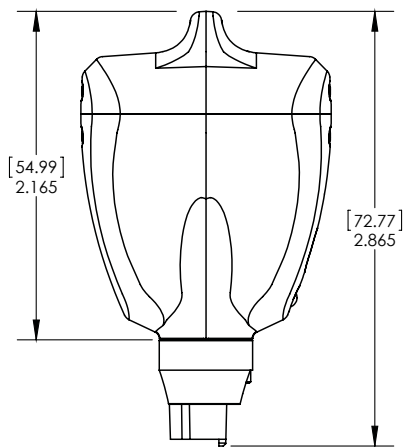
CAW	Version 9.0 or newer
Enterprise	<input checked="" type="checkbox"/>
Basic	<input checked="" type="checkbox"/>

The CyberKey X is an electronic key used to operate CyberLock cylinders. It has memory that contains encrypted access codes, a list of locks it may access, schedules of authorised dates and times it may access locks, and a begin-end date range during which the key will operate. The battery from a CyberKey energises the electronics within a CyberLock cylinder.



### Specifications

<b>Physical</b>	Fiberglass reinforced nylon, replaceable brass tip
<b>Operating Temperature</b>	32° to 122° F (0° to 50° C)
<b>Weight</b>	1.5 oz (43.1 g)
<b>Visual Output</b>	Green indicator light
<b>Sound Output</b>	Embedded speaker
<b>Power</b>	3 V lithium CR2 battery, field replaceable
<b>Memory</b>	2 MB for up to 12,000 audit trail events and up to 12,000 locks with Lock List expansion SEM
<b>Compatibility</b>	Encoder 10, USB Station, Web Authoriser, and all Gen 2 communicators
<b>RoHS</b>	Compliant (CKR-X only)



Notes:  
Dimensions in inches (mm)  
Drawing not to scale

