

COMMUNICATION DEVICES

# Cyberkey Vault

Part number: FS-CV01



**Communicators underpin the flexibility of EKA CyberLock. Simple, instant key activation.**



### Increase Key Control & Accountability

Automate process of checking in/out CyberKeys



### Manage Access to Outside Vendors

Dispense temporary access or one-time use CyberKeys



### Securely Store Keys on Site

Perfect for high security buildings

The CyberKey Vault WR is a small, weatherised key safe that holds a single, unprogrammed CyberKey securely. The Vault WR can be installed indoors or in harsh, outdoor environments.



## Cyberkey Vault

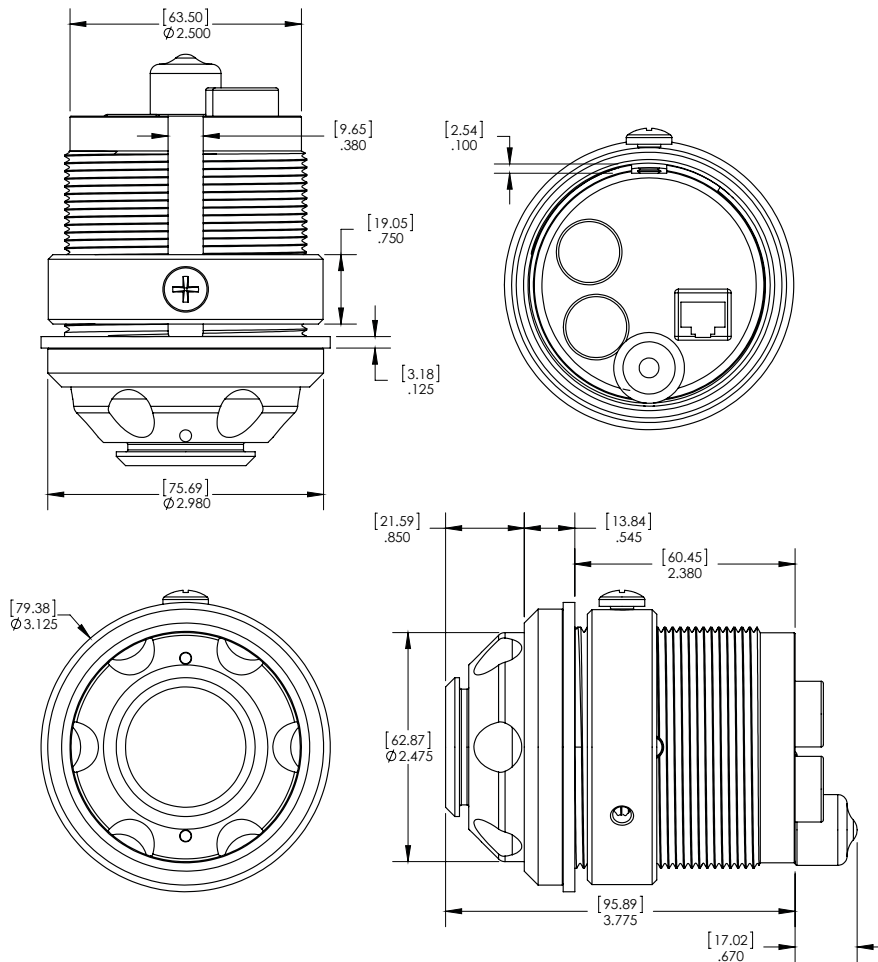
Part number: FS-CV01

The CyberKey Vault WR module is a very secure, rugged, outdoor vault that stores an un-programmed CyberKey. When approved credentials are presented, the CyberKey is programmed and can then be removed from the Vault. Required items: Flex System Hub, input module(s) and CyberKey(s).



## Specifications

<b>Physical</b>	Clear anodised aluminium
<b>Operating Temperatures</b>	-40° to 140° F, -40° to 60° C
<b>Humidity</b>	0 to 100%
<b>Dimensions</b>	4.45" L x 3.125" D (112.9 mm x 79.4 mm)
<b>Weight</b>	1.25 lbs (567 g)
<b>Power</b>	Via RS485, CAT 5 patch cable from a Flex System Hub
<b>Connection</b>	RJ45
<b>Indicator Lights</b>	Blue LED
<b>Mounting Hole</b>	2.65" D (67.3 mm)
<b>Compatible Keys</b>	CK-IR7, CK-RXD, CK-RXD2, CK-IR7C



Notes:  
 Dimensions in inches (mm)  
 Drawing not to scale  
 Ø indicates diameter