

## Flex II FlashReader

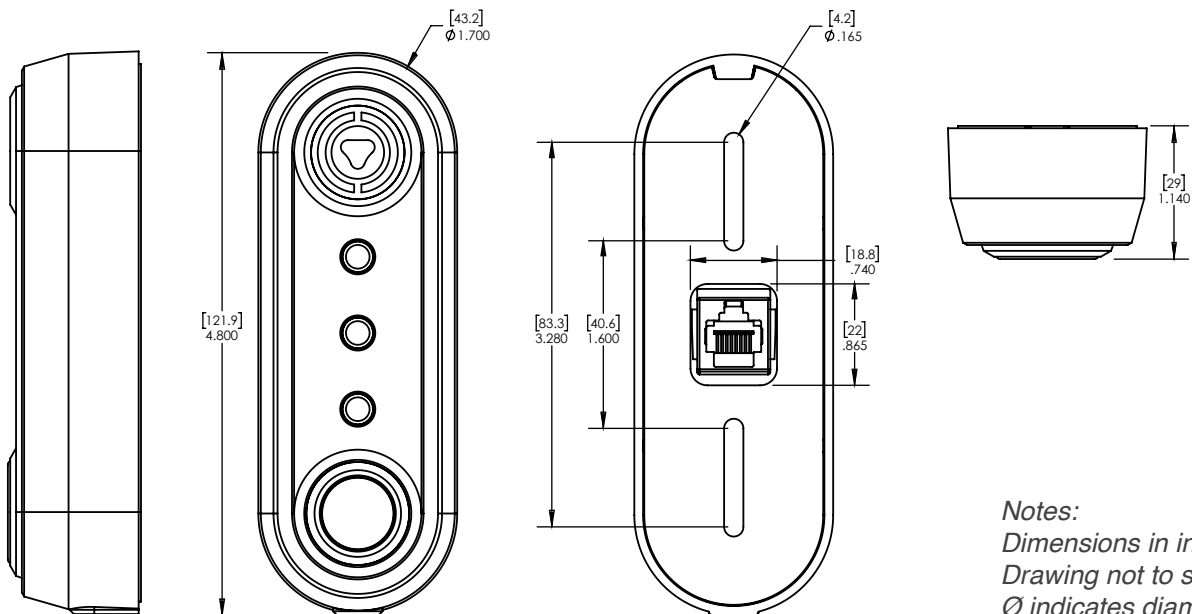
Part number: FSR-FR01

CAW	Version 9.4 or newer
Enterprise	<input checked="" type="checkbox"/>
Basic	<input type="checkbox"/>

The Flex II FlashReader is an input device for the CyberLock Flex II wired access control system. It connects to a Flex II Controller or Door Expander to open an electric door strike. A user can gain access by presenting credentials such as RFID cards, or a cell phone using CyberLock's Flash technology. When using Flash technology credentials are presented via a user's smartphone display meaning no app is required and access can be facilitated with a text or email message.

### Specifications

- Physical** Fiberglass Reinforced Nylon
- Operating Temperatures** -40° to 140° F (-40° to 60° C)
- Humidity** 0 to 100%
- Dimensions** 4.8" L x 1.7" W x 1.14" D (122 mm x 43 mm x 29 mm)
- Weight** 4.4 oz (125 g)
- Mounting** Flush mount to a surface or single gang box using included mounting bracket, 2X #6 screws recommended
- Power** Via RS485, CAT 5 patch cable from Flex II Controller or Door Expander
- Connections** RJ45
- Credentials** Smartphone enabled Flash Technology, RFID Cards Type A and 15693 formats
- Visual Indicator** 3 multicolored LED indicator lights
- Audio Indicator** Beeper
- Ingress Protection** IP66
- RoHS** Compliant with EU 2015/863



Notes:  
 Dimensions in inches (mm)  
 Drawing not to scale  
 Ø indicates diameter