



ELECTRONIC LOCK

Cam Lock, Standard

Part numbers: CL-C1N

**Requires no wiring or batteries,
making installation quick and easy**



370

+ types of cylinders

The CyberLock cylinders are the exact dimensions of the mechanical cylinders they replace. They are an electronic version of a standard mechanical lock cylinder. They retrofit into the lock hardware with the ease of a mechanical cylinder and do not change how the lock operates.



Why the CyberLock electronic cylinder is superior

- » Retrofits most mechanical locks
- » No wiring and battery required
- » Torque brake
- » No keyway to pick
- » Potted circuits protected against dust, water, salt & air
- » Lost key list prevents unauthorised access
- » Withstands to 300,000 volts and 18,000 gauss
- » Records authorised and denied access



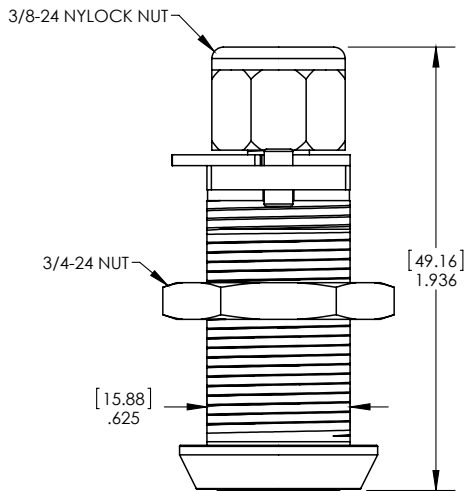
Cam Lock, Standard

Part numbers: *CL-C1N*

The CyberLock CL-C1N cam lock is an electronic version of a 3/4" Double-D cam lock. The core's electronics are encased in a stainless steel face and contact pins. The outer shell is made of nickel-plated brass, and the cam latch is stainless steel.

The CL-C1N has 1-1/8" body length and can be configured two ways. The first way is a key rotation of 360° and a cam latch rotation of 90°, and the key is released from the lock when it is in the open position, thus making it key retaining. The CL-C1N comes with 3 different drive cams and instructions on how to assemble the lock for the desired configuration.

Applications include cabinets, drawers, display cases and cash boxes.



Notes:
 Dimensions in inches (mm)
 Drawing not to scale
 Ø indicates diameter

