



ELECTRONIC LOCK

# Half Profile Cylinder, 30mm

Part number: CL-PH30, CL2-PH30



**Requires no wiring or batteries,  
making installation quick and easy**

# 370

**+ types of cylinders**

The CyberLock cylinders are the exact dimensions of the mechanical cylinders they replace. They are an electronic version of a standard mechanical lock cylinder. They retrofit into the lock hardware with the ease of a mechanical cylinder and do not change how the lock operates.



## Why the CyberLock electronic cylinder is superior

- » Retrofits most mechanical locks
- » No wiring and battery required
- » Torque brake
- » No keyway to pick
- » Potted circuits protected against dust, water, salt & air
- » Lost key list prevents unauthorised access
- » Withstands to 300,000 volts and 18,000 gauss
- » Records authorised and denied access



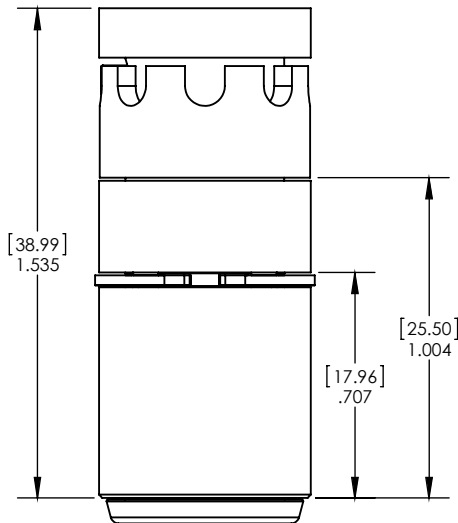
### Half Profile Cylinder, 30mm

Part number: CL-PH30 , CL2-PH30

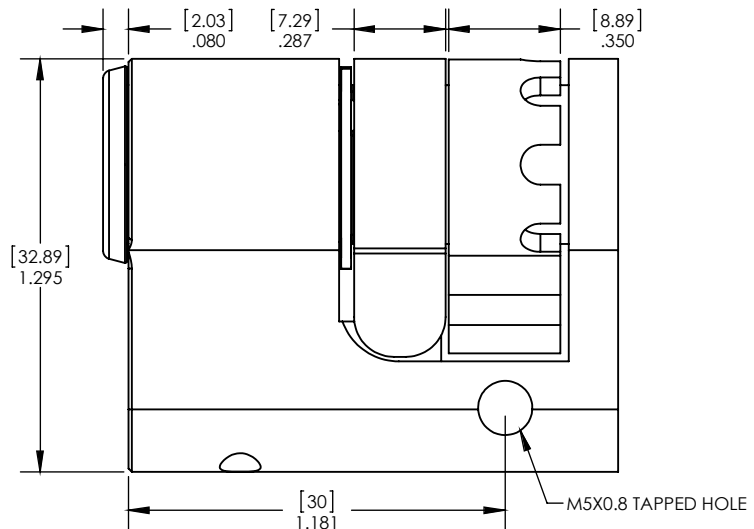
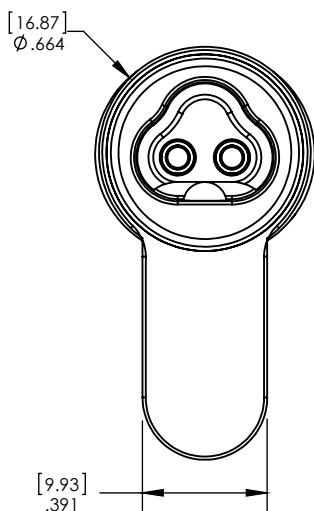
The CyberLock Half Profile, 30mm is one of several CyberLock cylinders available for European profile locks. It is a direct replacement for a standard 30mm profile cylinder. It has a single key way and is 30mm from the centre of the mounting hole to the front of the cylinder.

Both the lock body and the locking cam are made of nickel-plated brass. The electronics are encased in a nickel-plated steel shell. The cylinder contains two hardened steel pins as an anti-drilling feature.

The cam latch can be set to one of eight different positions during the initial install to accommodate different lock hardware.



Notes:  
 Dimensions in inches (mm)  
 Drawing not to scale  
 Ø indicates diameter



## Half Profile Cylinder, 30mm

Part number: CL-PH30, CL2-PH30

### GEN I Mode

CAW	Version 9.0 or newer
Enterprise	✓
Basic	✓

### GEN 2 Mode

CAW	Version 9.4 or newer
Enterprise	✓
Basic	✓

## Specifications

- Finish** » Nickel plating
- Operating Temperature** » -40°C to 70°C, non-condensing
- Power Requirements** » None; power is supplied by the key's battery.
- Hardware Security Features**
  - » No keyway to pick.
  - » If torque is applied to the front of the cylinder, it separates from the back half leaving the cylinder in the locked position.
  - » Resists electric charge applied to the face of the lock.
  - » AES-256 encryption.
  - » Bluetooth always connected feature.
- Hardware Options**
  - » Tamper pin which blocks the locking pin automatically when impact force is applied to the front of the lock.
  - » Hardened metal.
  - » Drill-resistant pins.
- Number of Keys per Lock** » No limit to the number of keys that the lock can support.
- Number of Locks per Key**
  - » Up to 6,544 locks can be accessed with a standard user key.
  - » A Master key has no limit to the number of locks it can access
  - » A database has no limit to the number of locks or keys it can manage.
- Lost Keys** » The system can designate and disable lost keys.
- Access Schedules**
  - » Schedules programmed into the Cyberkey provide complete control over specific days and times that a key will operate. A key can use up to 49 different schedules to access locks.
  - » A database has no limit to the number of schedules it can manage.
  - » Holidays may be set as exceptions to the schedules.
- Audit Capacities**
  - » The lock remembers the up to 6,544 open/lock events with date and time.
  - » A key remembers up to 3900 events with date and time. It can be set to keep only the most recent set of events or to stop operating when its audit trial is full.
- Electronic Security Features**
  - » Key Expiration – a begin/end date range can be set during which the key will work.
  - » Delayed entry – a lock can be set to delay entry for up to 20 minutes.
  - » Multiple key custody – a lock may be set to require more than 1 key (up to 4) before opening.
- Electronic Re keying** » Re keying a system is done via the software; no need to install new locks and issue new keys.