

CyberLock Blue Padlock, 2" Shackle

Part number: BLR-PL02

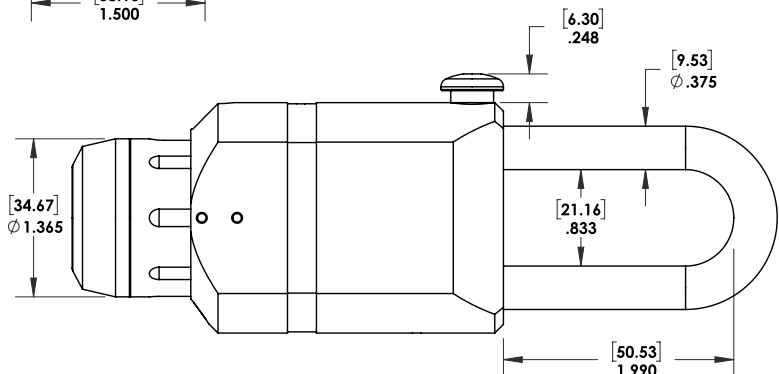
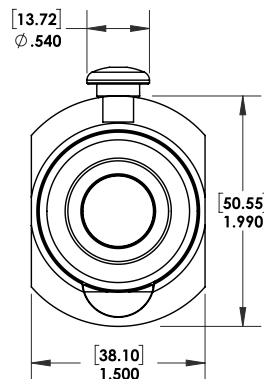
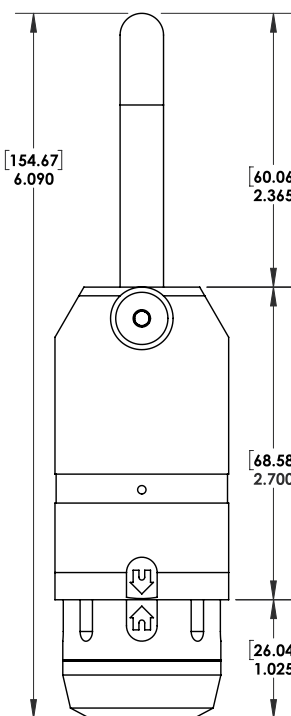
CAW	Version 9.6 or newer
Enterprise	<input checked="" type="checkbox"/>
Basic	<input type="checkbox"/>

CyberLock Blue is a keyless lock that facilitates access control using a Bluetooth-enabled device.



Specifications

Physical	Brass, stainless steel, and polycarbonate
Operating Temperatures	-4° to 140° F (-20° to 60° C) below 14° F (-10° C) battery capacity is significantly reduced
Weight	34.8 oz (986 g)
Dimensions	6.09" L x 2.24" W x 1.5" H (154.7 mm x 56.9 mm x 38.1 mm)
Communication	Infrared, Bluetooth 5.0
Visual Output	Multicolor LED indicator light
Power	EL123 lithium battery, field replaceable
Access Options	Cyber Access app on Android or iOS, CK-FLASH, CK-AIR2, CKR-BLUE3, FK-01 IR Fob
Programming and Download Options	Cyberlink 2 on PC or Cyber Audit Link app
Software	CyberAudit® Enterprise 9.6 (or newer)
Battery Life	Up to 2 years
Audit Capacity	Up to 6,460 open/lock events
RoHS	Compliant with EU 2015/863
IP Rating	IP68



Notes:
 Dimensions in inches (mm)
 Drawing not to scale
 Ø indicates diameter